



Technical Information

Dimensions	2490 x 780 x 1850 mm
Sub-Arm	4000 X 4000 mm

		Kg
Crane & Option Weights	JF40	1600
	/	
	TF0500	12
	PP400-4DX PP220-4DX PP220-2DX	45
	JIB P	9

Work	500 kg 36 m - Ø 6 mm 27-33 m/min.
------	---

JF40	Petrol Engine	YAMAHA MZ 360	7.6 kW 10.4 Hp
------	---------------	---------------	-------------------

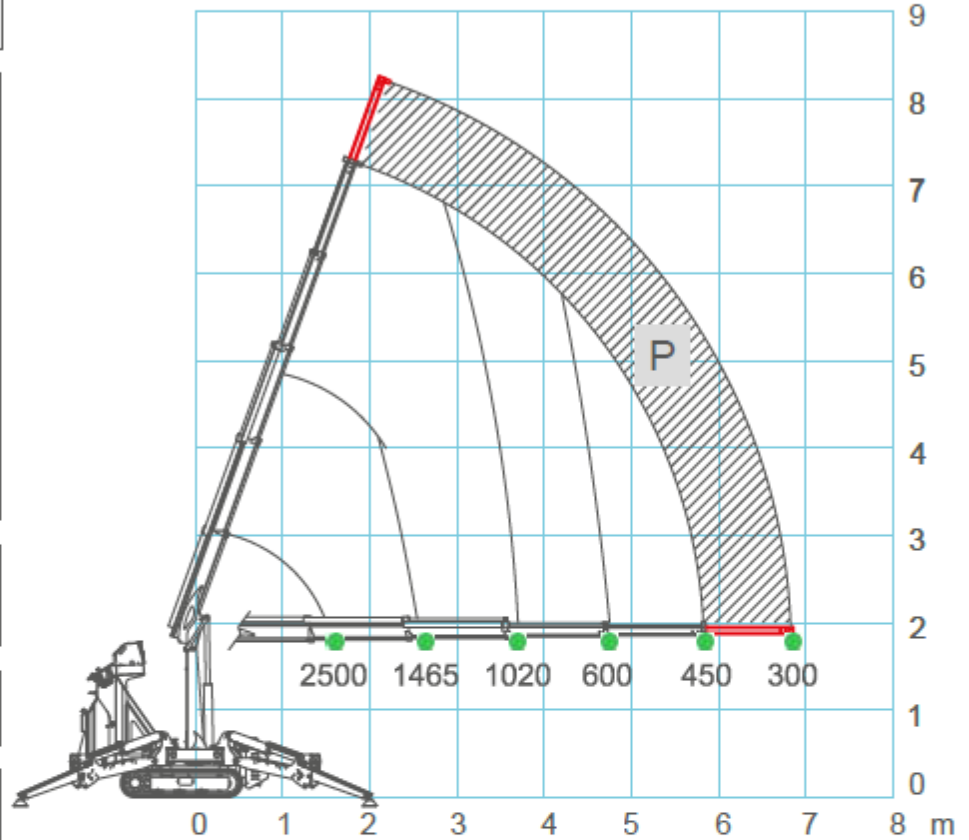
Speed	2.4 km/h
-------	----------

Gradeability	20°
--------------	-----



Load Chart

P: manual extension



Electric Power Pack

	2kW - 2.7 Hp 220 V-AC
--	--------------------------

Max. Track Load

	0.35 kg/cm ²
--	-------------------------

Max. Outrigger Load

	1300 kg
--	---------

Boom Length

1.6 - 5.8 m	30 sec.
-------------	---------

Working Angle

0° / 70°	25 sec.
----------	---------

Rotation

337° / 1.0 rpm



Dimensions

