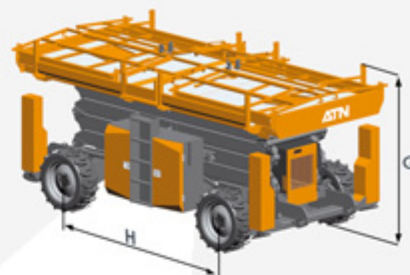
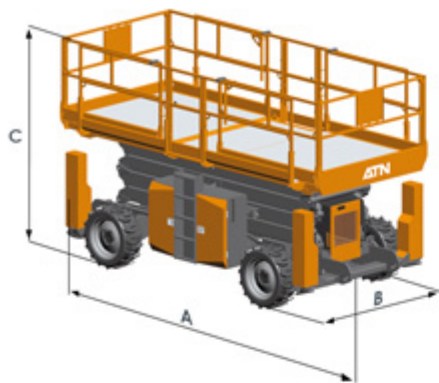


# ATN

## *CX 12 / CX 15*

Scissor Lift CX 12





## CX 12

### ADVANTAGES OF CX 12

- Dual deck extensions.
- Improved maintainability (on-board diagnostic system).
- Intuitive proportional controls.
- Automatic levelling outriggers.
- Permanent 4x4.
- Designed for intensive use.

### STANDARD FEATURES

- 4 wheel drive.
- 2 Steered wheels.
- Levelling jacks.
- On-board diagnostic system with colour LCD screen.
- Removable control unit.
- Load limiter.
- Hour meter.
- Non-slip aluminium platform floor.
- Oscillating axle.

### OPTIONS

- Hydraulic extension deployment.
- AC power cable to platform.
- Air line to platform.
- 2,5 KW generator.
- Cold weather start kit.
- Flashing light.
- Motion alarm.
- Special paint colour(s).

	CX 12	CX 15
Working height	12 M (39 ft. 4 in.)	15 M (49 ft. 2 in.)
Platform height	10 M (32 ft. 8 in.)	13 M (42 ft. 7 in.)
Max lift capacity	1100 Kg (2425 lbs.)	700 Kg (1543,2 lbs.)
Lift capacity on extension	230 Kg (507 lbs.)	200 Kg (440,9 lbs.)
<b>A</b> Overall length	4,86 M (15 ft. 11 in.)	4,86 M (5 ft. 11 in.)
<b>B</b> Overall width	2,30 M (7 ft. 6 in.)	2,30 M (7 ft. 6 in.)
<b>C</b> Height with barrier in position	2,78 M (9 ft. 1 in.)	2,99 M (9 ft. 9 in.)
<b>D</b> Length with platform extensions	7,30 M (23 ft. 11 in.)	7,30 M (23 ft. 11 in.)
<b>E</b> Platform width	2,22 M (7 ft. 3 in.)	2,22 M (7 ft. 3 in.)
<b>F</b> Front and rear extension	2 x 1,25 M (2x4 ft. 1 in.)	2x1,25 M (2x4 ft. 1 in.)
<b>G</b> Height with barrier stowed	2,02 M (6 ft. 6 in.)	2,23 M (7 ft. 3 in.)
<b>H</b> Wheelbase	2,90 M (9 ft. 5 in.)	2,90 M (9 ft. 5 in.)
Ground clearance centre	0,36 M (1 ft. 2 in.)	0,36 M (1 ft. 2 in.)
Turning radius - inside	2,50 M (8 ft. 2 in.)	2,50 M (8 ft. 2 in.)
Turning radius - outside	5,60 M (8 ft. 4 in.)	5,60 M (18 ft. 4 in.)
Rough terrain special tyres	33x12x20	33x12x20
Raising / lower speed	50/50 s	50/50 s
Movement speed in stowed position	6 Km/h (3,7 Mph)	6 Km/h (3,7 Mph)
Movement speed in up position	0,85 Km/h (0,5 Mph)	0,85 Km/h (0,5 Mph)
Maximum tilt value	3 °	2 °
Gradeability	45 %	45 %
Max.ground bearing pressure on wheels	1148 Kn/m <sup>2</sup>	1148 Kn/m <sup>2</sup>
Max.ground bearing pressure on levelling jacks	687 Kn/m <sup>2</sup>	687 Kn/m <sup>2</sup>
Diesel engine	KUBOTA	KUBOTA
Fuel tank capacity	100 L	100 L
Hydraulic tank capacity	100 L	100 L
Weight	6900 Kg (15211,8 lbs.)	7300 Kg (16093,7 lbs.)

CE This product complies with European regulations in force (EN 280). Due to our constant improvement policy, ATN reserves the right to make any modifications without any prior notice.

# ATN

Rue André Thevet,

Z.I.Guillaume Mon Amy Fauillet 47400 FRANCE

+33 (0) 553 798 320 +33 (0) 553 880 107

<http://www.atnplatforms.com>



Vente  
Location  
Service



# HELI.be

Vantegemstraat 9 | B-9230 Wetteren | +32 9 368 80 80 | info@heli.be

[www.atnplatforms.com](http://www.atnplatforms.com)