

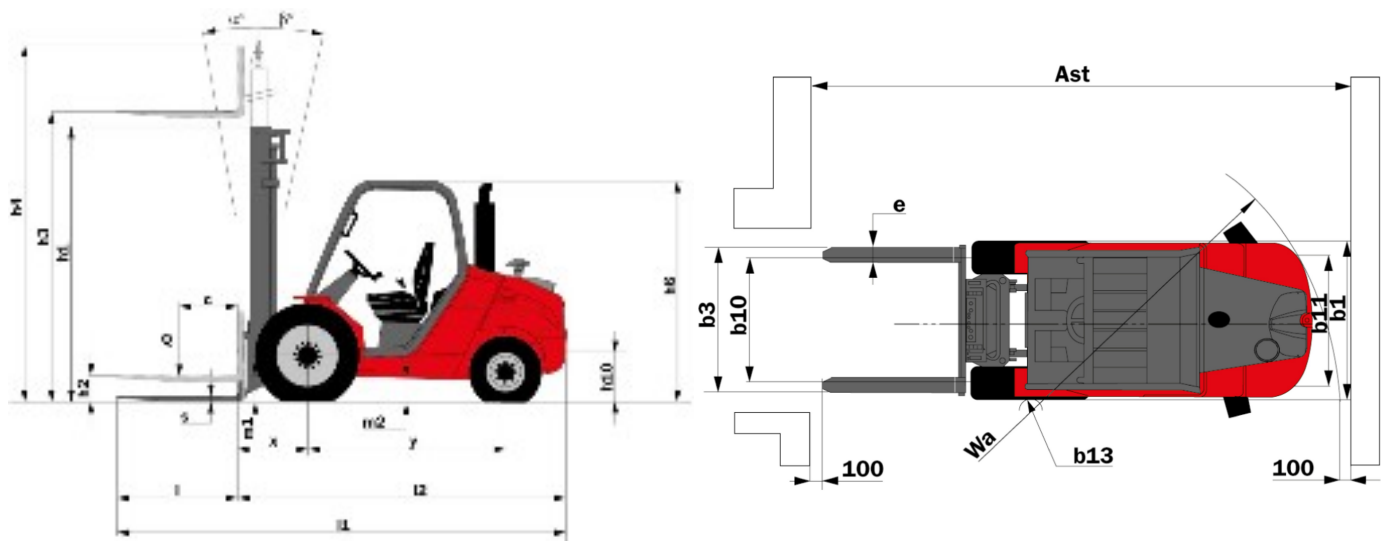
Technical sheet

MH 25

Masted Forklift Trucks



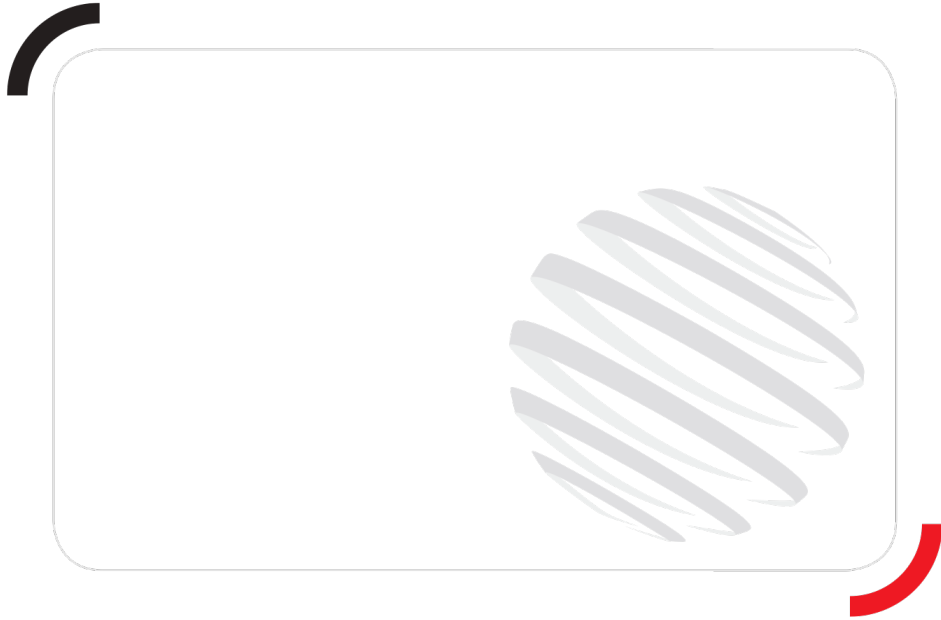
Technical characteristics		Metric
1.1	Manufacturer	Manitou
1.2	Model	MH 25
1.3	Type of traction	Diesel
1.4	Type of operation	Seated
1.5	Q - Rated capacity	2500 kg
1.6	c - Center of gravity of load	500 mm
1.8	x - Distance from the load bearing surface to the centre of the front axle	625 mm
1.9	y - Wheelbase	1800 mm
Weight		
2.1	Weight of truck in working order	4260 kg
2.2	Laden weight on front/rear axle	5812 kg / 948 kg
2.3	Unladen weight on front/rear axle	1750 kg / 2510 kg
Wheels		
3.1	Tyre equipment: bandage (V), PPS (SE), inflatable tyre (L)	L
3.2	Size of front wheels	280/80 R20 XCML
3.5	Number of front wheels (x)	2x / 2x
3.6	b10 - Front track	1.16 mm
3.7	b11 - Rear track	1.16 mm
Dimensions		
4.1	α / β - Front/Rear mast angle	10 ° / 12 °
4.2	h1 - Height (mast lowered)	2105 mm
4.3	h2 - Free lift	130 mm
4.5	h4 - Height of extended mast	4070 mm
4.7	h6 - Height of driver protection (cab)	2105 mm
4.8	h7 - Height of seat	1025 mm
4.12	h10 - Height of towing coupling	310 mm
4.19	l1 - Total length	4045 mm
4.20	l2 - Length to fork heel	2945 mm
4.21	b1 - Overall width - Single/twinned wheels	1450 mm / -
4.22	e / s / l - Fork dimensions	1100 x 100 x 40
4.23	Fork carriage to DIN 15173 A/B	FEM 2A
4.24	b3 - Width of fork clamp	1260 mm
4.31	m1 - Ground clearance under mast	266 mm
4.33	Ast - Aisle width for 1000 x 1200 pallet widthwise	5090 mm
4.34	Ast - Aisle width for 800 x 1200 pallet lengthwise	5290 mm
4.35	Wa - Turning radius	3265 mm
4.36	b13 - Inner turning radius	1080 mm
Performances		
5.1	Speed of travel laden / unladen	14 km/h / -
5.2	Lifting speed laden / unladen	0.40 m/s / 0.50 m/s
5.3	Lowering speed laden / unladen	0.50 m/s / 0.40 m/s
5.5	Nominal pulling force laden / unladen	3550 daN / -
5.7	Maximum ramp laden / unladen	50 % / 48 %
5.10	Service brake	Hydraulic
Engine		
7.1	Engine manufacturer / Type	Kubota - V2403 M-E3B / Stage 3A
7.2	Useful power	36 kW
7.3	Rated speed	2700 rpm
7.4	Number of pistons / Capacity	4 / 2434 cm ³
Miscellaneous		
8.1	Type of drive unit	Hydraulic
8.2	Working hydraulic pressure for attachments	170 bar
8.3	Oil flow rate for attachments	77 l/min
8.4	Measured/guaranteed mean noise level at the ear of the operator	104 dB(A)



Characteristics of masts and residual capacities

Duplex Total Visibility		FVD27	FVD30	FVD33	FVD35	FVD37	FVD40	FVD45
Lift height	mm	2700	3000	3300	3500	3700	4000	4500
Height (mast lowered)	mm	1995	2145	2295	2395	2555	2745	2995
Free lift	mm	130	130	130	130	130	130	130
Height of extended mast	mm	3531	3831	4070	4331	4531	4831	5331
Residual Capacity without attachment (Industrial load chart)	kg	2500	2500	2500	1900	1900	1550	1100
Forward/backward mast tilt angle	°	10 / 12	10 / 12	10 / 12	10 / 12	10 / 12	10 / 12	10 / 12

Triplex Free Lift		FLT37	FLT40	FLT43	FLT47	TLL55
Lift height	mm	3700	4000	4300	4700	5500
Height (mast lowered)	mm	1945	2045	2145	2295	2555
Free lift	mm	1221	1321	1421	1571	1831
Height of extended mast	mm	4469	4769	5069	5469	6269
Residual Capacity without attachment (Industrial load chart)	kg	1900	1550	1250	1000	
Forward/backward mast tilt angle	°	10 / 12	10 / 12	10 / 12	10 / 12	6 / 6



Siège Social
430 rue de l'Aubinière - 44150 Ancenis Cedex - France
Tel: +33(0)2 40 09 10 11 - Fax: +33 (0)2 40 09 10 97
www.manitou.com



This brochure describes versions and configuration options for Manitou products which may be fitted with different equipment. The equipment described in this brochure may be standard, optional or not available depending on version. Manitou reserves the right to change the specifications shown and described at any time and without prior warning. The manufacturer is not liable for the specifications given. For more information, contact your Manitou dealer. Non-contractual document. Product descriptions may differ from actual products. List of specifications is not comprehensive. The logos and visual identity of the company are the property of Manitou and may not be used without authorisation. All rights reserved. The photos and diagrams contained in this brochure are provided for information only.

MANITOU BF SA - Limited company with board of directors - Share capital: 39,547,824 euros - 857 802 508 RCS Nantes